

Push-button interface 2-gang

Art. no.: 1150-0031

Operating instructions

1 Safety instructions



Electrical devices may only be mounted and connected by electrically skilled persons.

Serious injuries, fire or property damage possible. Please read and follow manual fully.

These instructions are an integral part of the product, and must remain with the end customer.

2 Device components

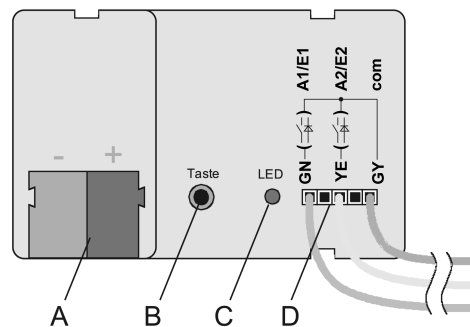


Figure 1: Device components

- (A) KNX connection
- (B) Programming button
- (C) Programming LED
- (D) Green (GN): Channel 1 (E1/A1)
Yellow (YE): Channel 2 (E2/A2)
Grey (GY): Reference potential (com)

3 Function

System information

This device is a product of the KNX system and complies with the KNX directives. Detailed technical knowledge obtained in KNX training courses is a prerequisite to proper understanding.

The function of this device depends upon the software. Detailed information on loadable software and attainable functionality as well as the software itself can be obtained from the manufacturer's product database. Planning, installation and commissioning of the device are carried out with the aid of KNX-certified software. The latest versions of product database and the technical descriptions are available on our website.

Intended use

- Polling of conventional switching or push-button contacts, window contacts etc. in KNX systems, for reporting of states, meter levels, operation of loads, etc.

Product characteristics

The 2-gang push-button interface has 2 independent channels, which work as inputs or alternatively as LED outputs, depending on ETS configuration.

The device can evaluate potential-free up to 2 push-buttons / switch conditions with shared reference potential via the inputs and transmit telegrams to the KNX bus accordingly. Supported input functions are: switching, dimming, shutter control, value transmitter (dimming value transmitter, light scene extension unit, brightness or temperature value transmitter). Furthermore, a switching counter or a pulse counter is available.

When functioning as an output, channels 1 and 2 can independently control up to 2 LEDs. The outputs are short-circuit resistant, overload-protected and reverse-polarity protected.

4 Information for electrically skilled persons

4.1 Fitting and electrical connection



DANGER!

Danger of electrical shock when mains voltage 230 V is connected!

Electrical shocks can be fatal.

Only connect potential-free push-buttons / switches.

Connection

The bus connection is made with a bus terminal (A). The connection of the push-buttons / switches / contacts or LEDs is carried out with the help of the attached connecting cable (Figure 2).

The connection examples show the use of the push-button interface with two inputs (E1 + E2) and with one input and one output each (A1 + E2).

i To increase the output current, LED outputs can also be switched parallel to each other with the same parameterization.

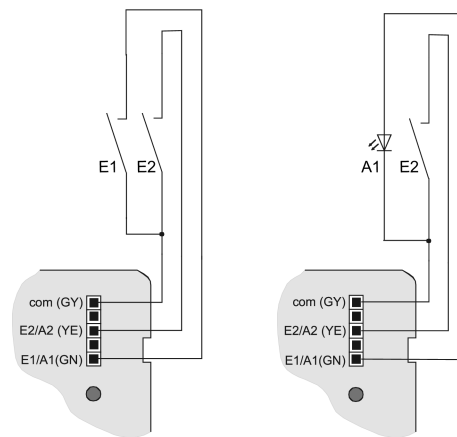


Figure 2: Connection examples push-buttons / switches / contacts and LED

Installation instructions

The connection of 230 V signals or other external voltages to the inputs is not permitted! Danger of electrical shock! Device may be destroyed!

To avoid interference from EMC radiation, the cables of the inputs (D) should not be run in parallel to cables carrying mains voltage or to load cables.

The voltage potentials of the connecting cables for the contacts and LEDs are not galvanically isolated from the bus voltage.

4.2 Commissioning

Load physical address and application program

- Switch on the bus voltage.
- Press the programming button (B).
The programming LED (C) lights up.
- Program the physical address with the ETS.
The programming LED goes out.
- Load application program with the ETS.

5 Technical data

KNX	
KNX medium	TP256
Commissioning mode	S-mode
Rated voltage KNX	DC 21 ... 32 V SELV
Power consumption KNX	typ. 150 mW
Ambient conditions	
Ambient temperature	-5 ... +45 °C
Storage/transport temperature	-25 ... +70 °C
Degree of protection	IP20
Protection class	III
Dimensions (W × H × D)	44 x 29 x 16 mm
Inputs / outputs	
Connection mode	3-core wiring harness
Cable length	25 cm, can be extended to max. 5 m
Recommended cable	J-Y(St)Y 2 x 2 x 0.8 mm
Number inputs	max. 2
Number outputs	max. 2
LED current outputs	typ. 2 mA per output

6 Warranty

We reserve the right to make technical and formal changes to the product in the interest of technical progress.

We provide a warranty as provided for by law.

Voltus GmbH

Loog 7
23611 Bad Schwartau